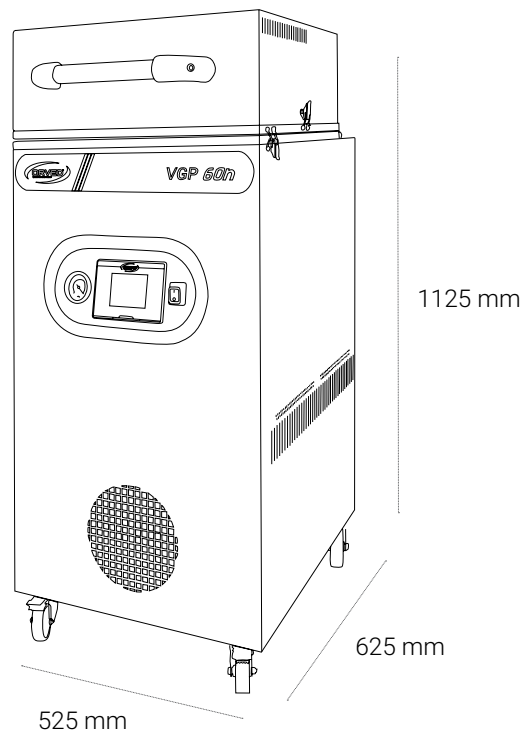


VGP 60n

- > Carrozzeria **Bodywork**: acciaio inox - stainless steel
- > Dimensioni **Size**: 525x625x1125/1505h mm
- > Peso **Weight**: 141 kg
- > Pompa di vuoto **Vacuum pump**: 60 m³/h
- > Tensione **Power grid voltage**: 400V - 50/60Hz
- > Potenza max assorbita **Max power absorption**: 2900 W
- > Dimensioni max vaschetta **Max tray size**: 325x260x120h mm

- > Carrosserie **Carrocería**: acier inoxydable - acero inoxidable
- > Dimensions **Medidas**: 350x600x420h mm
- > Poids **Peso**: 141 kg
- > Pompe à vide **Bomba de vacío**: 60 m³/h
- > Voltage **Tensión**: 400V - 50/60H
- > Puissance max absorbée **Potencia máx**: 2900 W
- > Dim. max des barquettes **Dim. max barquetas**: 325x260x120h mm



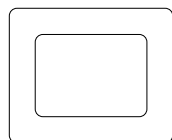
½ Gastronorm

Ripiani standard

Standard mould

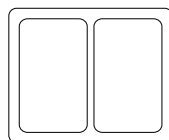
Dimensions standard

Molde estandar



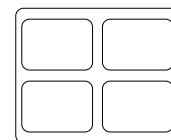
1x 325x260 mm

¼ Gastronorm



2x 160x260 mm

⅛ Gastronorm



4x 165x120 mm



Multiprog 10 programmi

Multiprog 10 programs - Multiprog 10 programmes - Multiprog 10 programas



Stampo taglio sfrido

Mould with cut of seal - Matrice avec couteaux - Molde con recorte



Pannello touch

Touch panel - Panneau touch - Mandos touch



Sistema sensoriale di vuoto

Vacuum sensor - Système de mise sous vide sensoriel - Sistema de vacío con sensor



Stampo standard (a scelta)

Standard mould (optionally) - Matrice standard (au choix) - Molde estandar (opcional)



GAS

Gas - Gaz - Gas



Vuoto + Gas

Vacuum + Gas - Vide + Gaz - Vacío + Gas



Ultra vuoto

Ultra Vacuum - Ultra Vide - Ultra Vacío



Ultra Gas

Ultra Gas - Ultra Gaz - Ultra Gas

